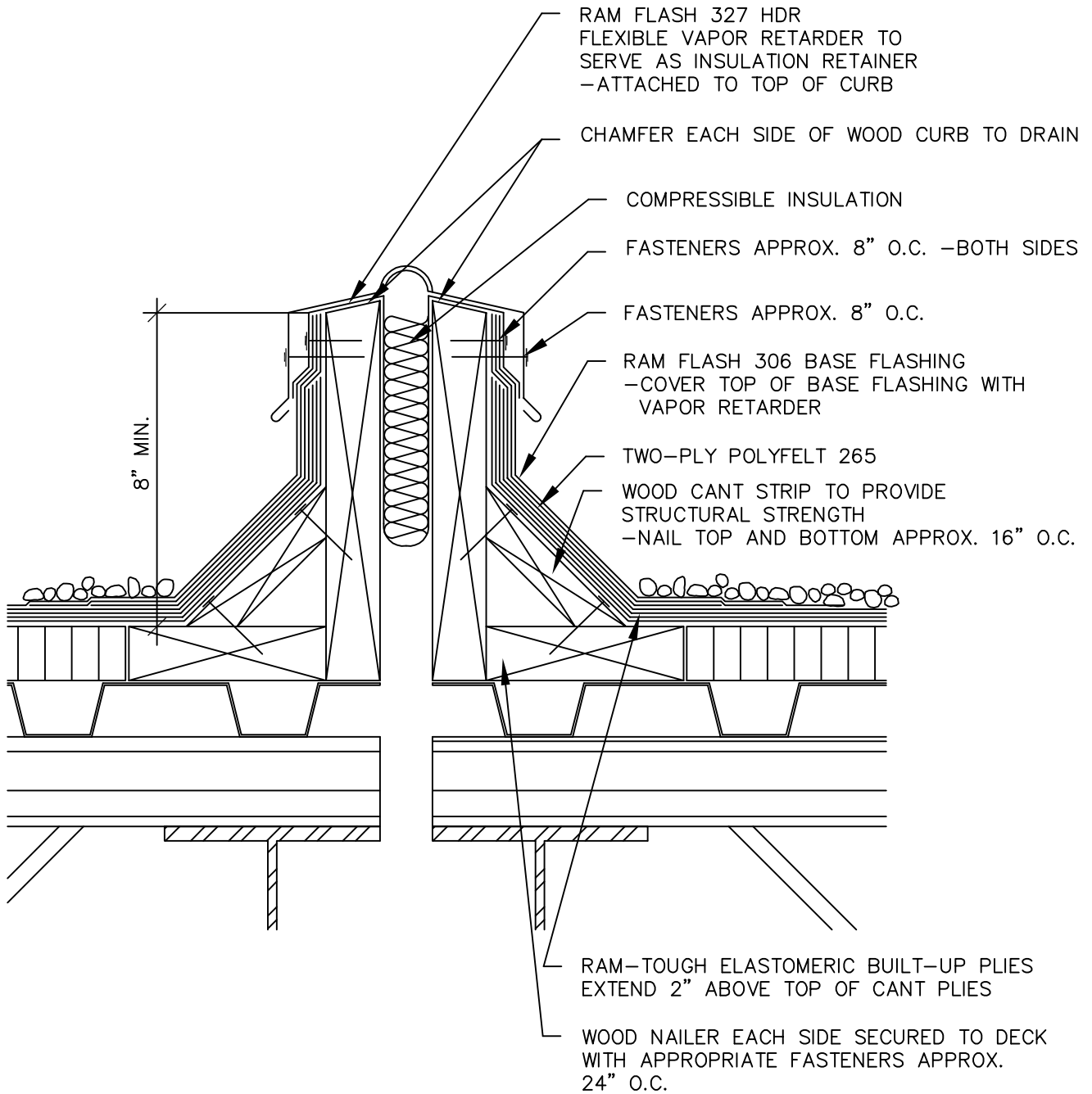


EXPANSION JOINT



BARRETT COMPANY
BRT-GSEC.DWG
FOR TECHNICAL ASSISTANCE
CALL 1-800-647-0100