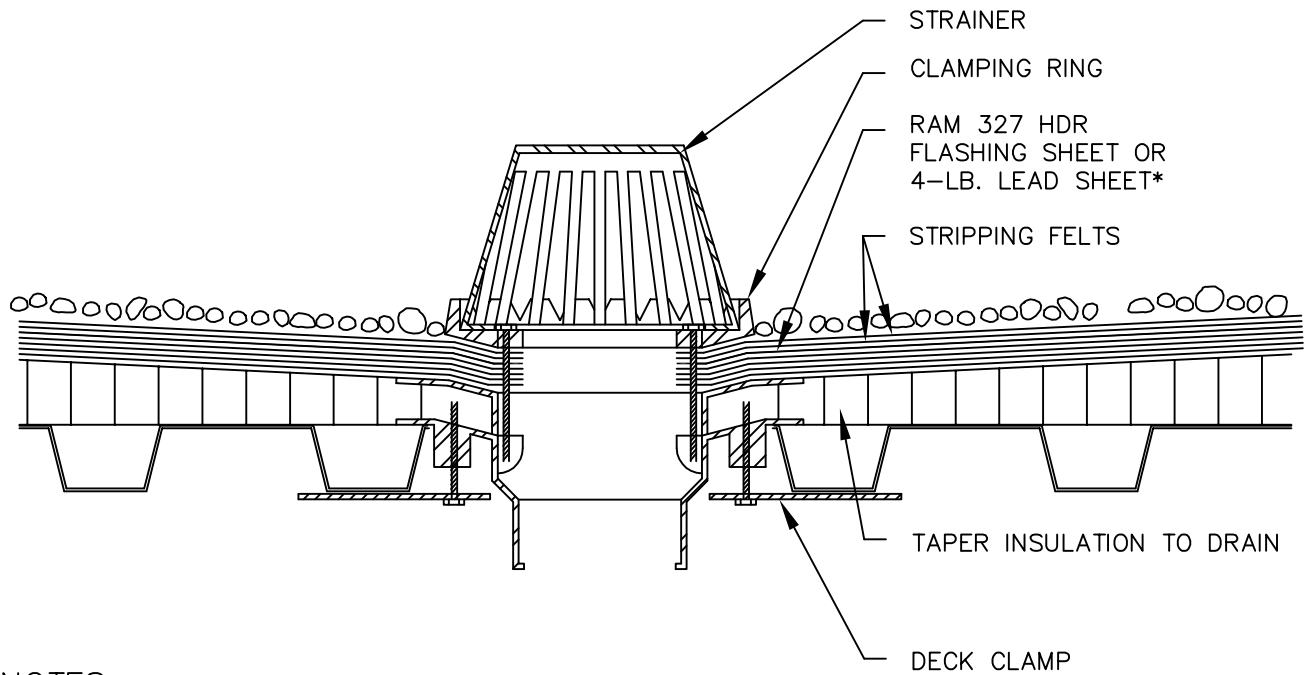
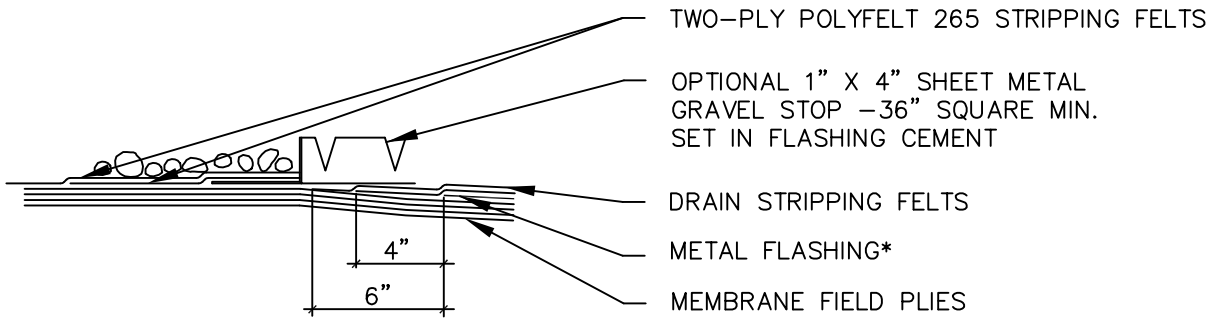


ROOF DRAIN



NOTES:

1. *MINIMUM 36" SQUARE RAM FLASH 327 HDR NEOPRENE FLASHING OR 4-LB. SHEET LEAD SET ON FINISHED ROOFING FELT IN BITUMEN.
2. MEMBRANE PLIES, METAL FLASHING, AND FLASH-IN PLIES EXTEND UNDER CLAMPING RING.
3. STRIPPING FELTS-EXTEND 4" AND 6" BEYOND EDGE OF FLASHING SHEET, BUT NOT BEYOND EDGE OF SUMP.
4. THE USE OF METAL DECK SUMP PANS IS NOT RECOMMENDED.



BARRETT COMPANY
BRT-LSEC.DWG
FOR TECHNICAL ASSISTANCE
CALL 1-800-647-0100