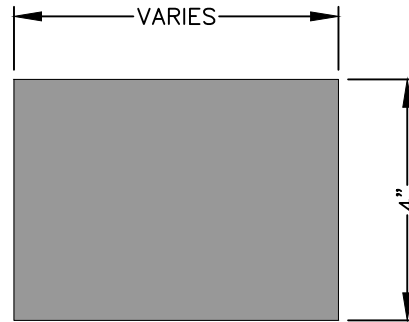


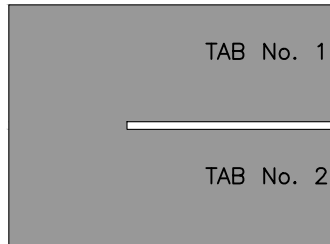
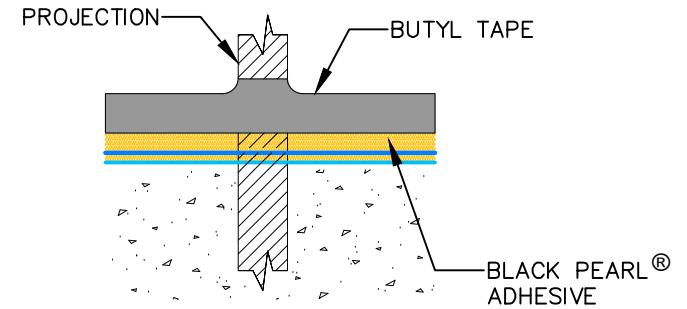
### STEP No. 1

CUT 1/8"X4" BUTYL SEALANT TAPE INTO LONG STRIPS. FOR DOWELS AND BOLTS UP TO 1-1/4" DIAMETER, ADJUST LENGTH FOR SMALLER OR LARGER DIAMETER PROJECTIONS.



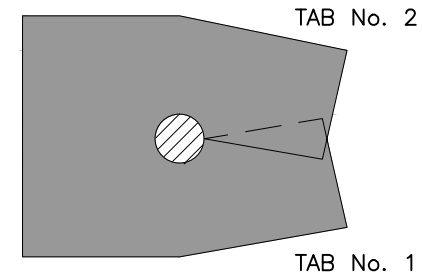
### STEP No. 3

SET BUTYL SEALANT TAPE IN A THIN COAT OF BP ADHESIVE APPLIED OVER WATERPROOFING. PRESS TAPE AROUND DOWEL OVERLAPPING TAB #2 OVER TAB #1, SHOWN IN STEP No. 4.



### STEP No. 2

SLIT BUTYL SEALANT TAPE THRU THE MIDDLE 2/3 OF THE LENGTH AS SHOWN.



### STEP No. 4

AFTER OVERLAPPING THE TWO TABS OF THE TAPE AROUND PROJECTION COMPRESS TAPE FIRMLY TO SEAL.



Between the World  
and The Weather  
Since 1928

1.800.647.0100

www.barrettroofs.com

BLACK PEARL®  
WATERPROOFING SYSTEMS

BUTYL SEALANT TAPE  
APPLICATION FOR FLASHING  
SMALL ROUND PROJECTIONS  
(DRAWING NOT TO SCALE)

DRAWING NUMBER:

BP-BG-12

DATE ISSUED:

August 1, 2012