

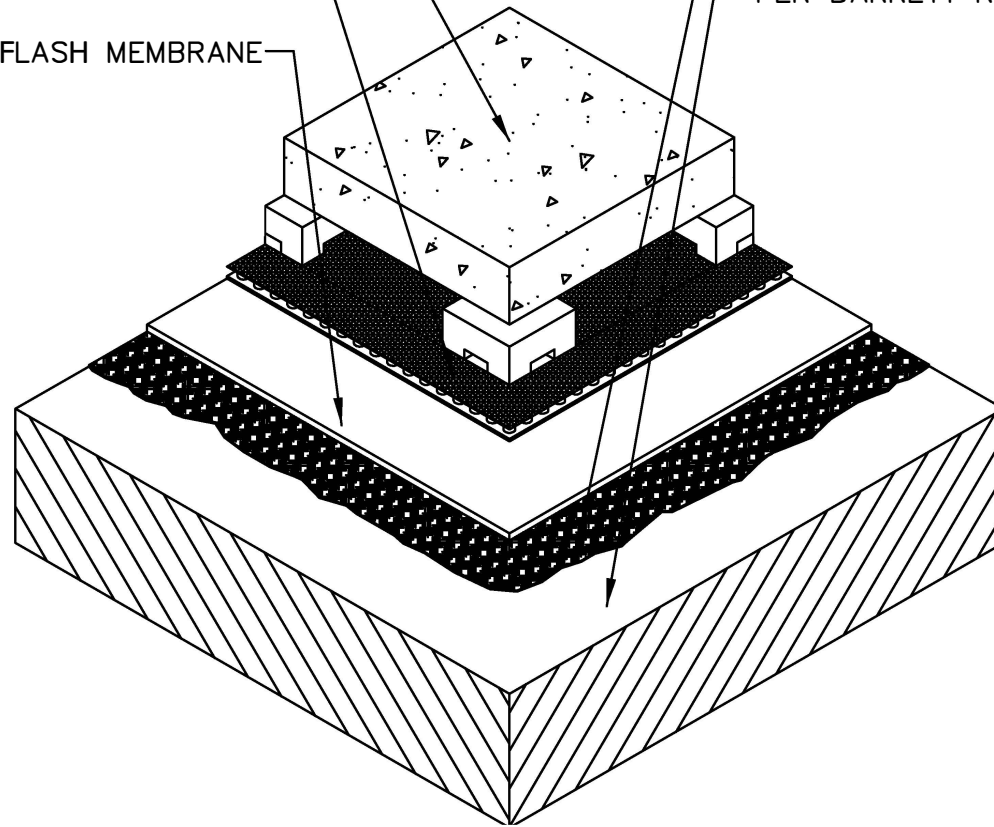
ACCEPTABLE BARRETT APPROVED
OVERBURDEN (CONCRETE PAVERS
OVER PEDESTALS)

ACCEPTABLE BARRETT APPROVED
DRAINAGE MAT (OPTIONAL)

RAM QUIKFLASH MEMBRANE

RAM QUIKFLASH PRIMER APPLIED
TO SUBSTRATE.

APPROVED SUBSTRATE PREPARED
PER BARRETT REQUIREMENTS.



Contact info:

www.barrettroofs.com
P: 1-800-647-0100



Drawing Detail:

-- PLAZA WATERPROOFING
ASSEMBLY W/PEDESTAL-
MOUNTED PAVER
OVERBURDEN

File Name:

--

Date:

-- 03-08-2024